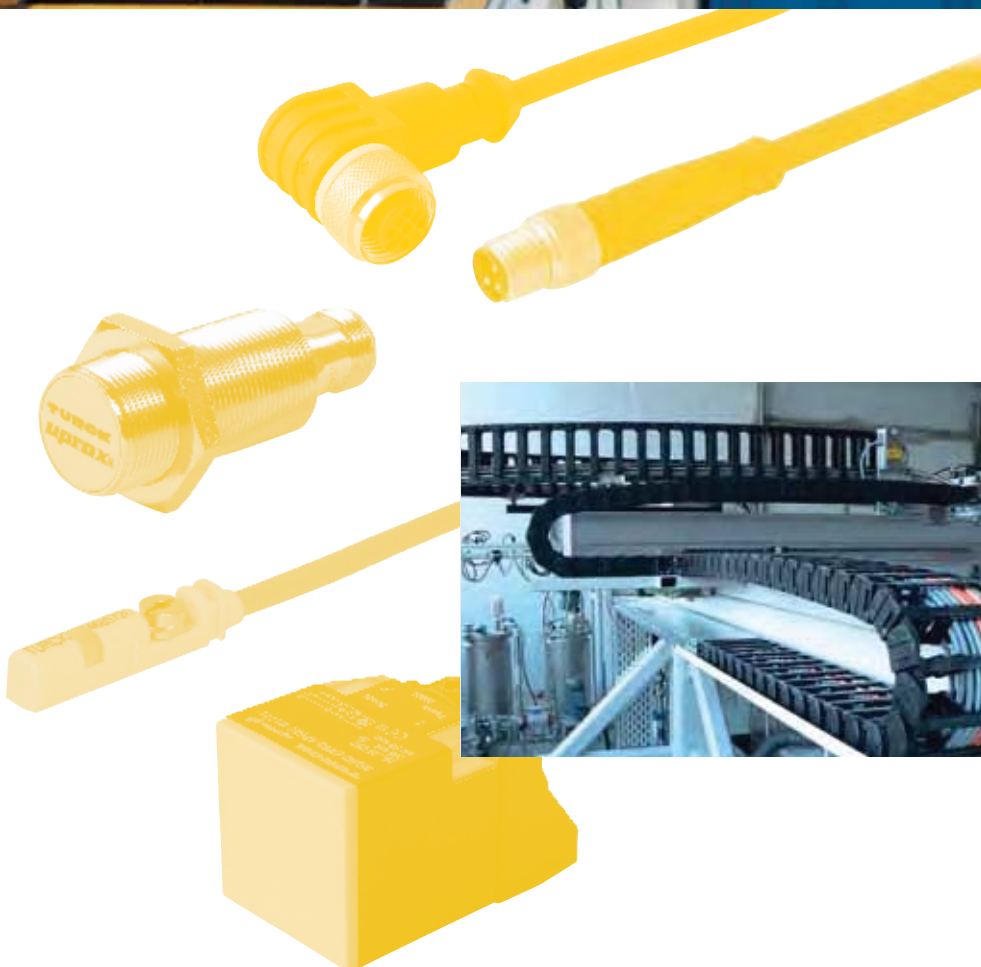


TURCK

**Industrial
Automation**

**PREFERRED
PROGRAM
SENSORS AND
CONNECTORS**



Sense it! Connect it! Bus it! Solve it!

The company



The company

TURCK is one of the leading manufacturers in industrial automation. With more than 3.200 employees in 27 countries as well as sales partners in further 60 states, we are always close to you. As a specialist in sensor, fieldbus, connection and interface technology and also human-machine interfaces (HMI) and

RFID, we offer efficient solutions for factory and process automation. With our state-of-the-art production facilities in Germany, Switzerland, the USA, Mexico and China we, as a family-owned company, are able to react quickly and flexibly to the demands of local markets.



The product portfolio

Whether applied in machine and plant construction, in the sectors of automotive, transport and handling, food and beverage or in the chemical or pharmaceutical industry, TURCK automation solutions and products increase the availability and efficiency of your systems. But this is not all! Our efficiently standardized products help you to cut

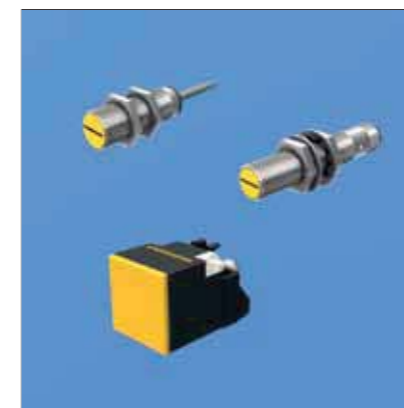
down on costs for purchase, storage, installation and operational safety. You get the best solutions for your automation lines. This is possible thanks to the industry-specific knowledge we have acquired in close co-operation with our customers and through continuous further development of electronics and production on the highest level.



Our service

With nearly 50 years of experience and extensive know-how, we support you in each phase of the project, from a first analysis up to tailor-made solutions and commissioning of your application. With the excellent quality of our products, the support of our specialists and our fast delivery service, your systems will always run to the highest possible capacity. Software tools for programming, config-

uration or commissioning as well as our data sheets or CAD data are available in 80 export formats. Visit us on www.turck.com! Here you find products and solutions fast, seven days a week, at any place worldwide and in nine different languages. You have access to nearly all products and solutions – clearly structured, completely documented and free for download.



Preferred program – Inductive sensors

Our preferred program of sensors and connectivity comprises application approved devices in many different designs. They are available ex stock and on short notice. The inductive sensors are available as threaded barrels M8, M12, M18 and M30 and as rectangular types. For special application demands we offer suitable devices in many different mate-

rial qualities. You can choose between 2 m and 7 m cables for mains connection as well as between M8 and M12 male connection types. The rectangular types CK40 and QV40 measure 40 × 40 mm. Thanks to large switching distances and rugged housing materials, the sensors operate extremely reliable.



Preferred program – Magnetic field sensors

Our preferred program comprises universally applicable UNT magnetic field sensors that can be mounted on all standard pneumatic cylinders. The UNTs are extremely compact and easily mounted. Accessories are not needed to mount them on T-groove cylinders. With

our optionally available accessories you can also mount them on round, tie-rod and dovetail cylinders. Thanks to their excellent EMC properties and protection rating IP67, the magnetic field sensors from TURCK work extremely reliable even in harsh production environments.



Preferred program – Connectivity

The M12/M8 connection and extension cables from TURCK fulfill the most diverse requirements of the automation industry. The standard and universally applicable product series, helps you to minimize installation efforts and storage space. The M12 as well as the M8 types are available as connection cables with

straight and angled female end and as 3 and 4-pin versions. We offer them in standard lengths of 2 m, 5 m and 10 m; the extension cables are available in 0.3 m, 0.6 m, 1 m, 2 m and 5 m. All cables are IP67 rated, cULus approved and RoHS conform.

Cylindrical and rectangular designs

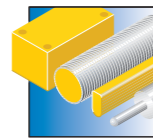


The product portfolio of inductive sensors comprises threaded barrels and rectangular types which cover the entire scope of tasks. The threaded barrels are available as M8, M12, M18 and M30 types and also as longer versions M12E and M18E. In order to fulfill all industrial demands, we offer them in many different material qualities. You can choose between 2 m and 7 m cables for mains connection as well as between M8 and M12 male connection types. The rectangular types CK40 and QV40 measure 40 x 40 mm. Thanks to large switching distances and rugged housing materials, the sensors operate extremely reliable.

Features

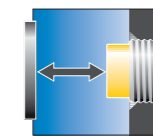
- Rugged housing materials
- Large switching distances
- Many connection possibilities
- Many electrical output functions
- Perfect fitting
- Good visible LED

Properties



Designs

Cylindrical design, standard threads: M8 x 1, M12 x 1, M18 x 1, M30 x 1,5; rectangular design: 40 x 40 x 65 mm



Switching distances

Cylindrical design: 2 to 20 mm; rectangular design: up to 50 mm



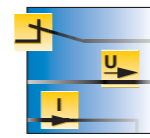
Materials

Cylindrical design made of chrome-plated brass or stainless steel; rectangular design made of plastic



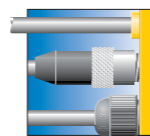
Internet link

Scan the QR code to access our products on the internet



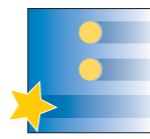
Electrical versions

3/4-wire DC, NO/change-over contact, PNP/NPN



Electrical connections

Cylindrical design: cable 2 m and 7 m; male M8 x 1 and M12 x 1; rectangular design: male M12 x 1



Special features

Types with Factor 1 for all metals, increased switching distance

M8 – 3-wire DC



General data

Switching distance	2 mm,	Protection class	IP67
Description	cylindrical, threaded barrel, 8 mm, stainless steel	Operating current [DC]	150,
Operating voltage	10...30 VDC	Housing material	1.4427 50
Quality active face	PA	Ambient temperature	-25...70 °C
Housing designation	M8 x 1		

Types and data – selection table

Type	Connection	Output	Dimensions	w	d
BI2-EG08-AP6X	2 m cable	, PNP	8 x 42 mm	w001	d001
BI2-EG08-AN6X	2 m cable	, NPN	8 x 42 mm	w002	d001
BI2-EG08-AP6X-V1131	male, M8 x 1	, PNP	8 x 49 mm	w003	d002
BI2-EG08-AN6X-V1131	male, M8 x 1	, NPN	8 x 49 mm	w004	d002
BI2-EG08-AP6X-H1341	male, M12 x 1	, PNP	8 x 57 mm	w003	d003
BI2-EG08-AN6X-H1341	male, M12 x 1	, NPN	8 x 57 mm	w004	d003
BI2-EG08K-AP6X	2 m cable	, PNP	8 x 23.6 mm	w001	d004
BI2-EG08K-AN6X	2 m cable	, NPN	8 x 23.6 mm	w002	d004
BI2-EG08K-AP6X-V1131	male, M8 x 1	, PNP	8 x 31 mm	w003	d005
BI2-EG08K-AN6X-V1131	male, M8 x 1	, NPN	8 x 31 mm	w004	d005
BI2-EG08K-AP6X-H1341	male, M12 x 1	, PNP	8 x 39 mm	w003	d006
BI2-EG08K-AN6X-H1341	male, M12 x 1	, NPN	8 x 39 mm	w004	d006

M8 – 4-wire DC



General data

Switching distance	2 mm,	Protection class	IP67
Connection	male, M12 x 1	Description	cylindrical, threaded barrel, 8 mm, stainless steel
Operating current [DC]	150,	Operating voltage	10...30 VDC
Housing material	1.4427 50	Quality active face	PA
Dimensions	8 x 39 mm	Ambient temperature	-25...70 °C
Housing designation	M8 x 1		

Types and data – selection table

Type	Output	w	d
BI2-EG08K-VP6X-H1341	, PNP	w005	d006
BI2-EG08K-VN6X-H1341	, NPN	w006	d006

M12 – 3-wire DC



General data			
Protection class	IP67	Description	cylindrical, threaded barrel, 12 mm, chrome-plated brass
Operating current [DC]	200, (K)	Operating voltage	10...30 VDC
Housing material	CuZn	Quality active face	PA
Ambient temperature	-25...70 °C	Housing designation	M12 x 1

Types and data – selection table

Type	Switching distance	Connection	Output	Dimensions	w	d
BI2-M12-AP6X	2 mm,	2 m cable	, PNP	12 x 54 mm	w001	d007
BI2-M12-AN6X	2 mm,	2 m cable	, NPN	12 x 54 mm	w002	d007
BI2-M12-AP6X-H1141	2 mm,	male, M12 x 1	, PNP	12 x 52 mm	w003	d008
BI2-M12-AN6X-H1141	2 mm,	male, M12 x 1	, NPN	12 x 52 mm	w004	d008
BI4-M12-AP6X	4 mm,	2 m cable	, PNP	12 x 54 mm	w001	d007
BI4-M12-AP6X 7M	4 mm,	7 m cable	, PNP	12 x 54 mm	w001	d007
BI4-M12-AN6X	4 mm,	2 m cable	, NPN	12 x 54 mm	w002	d007
BI4-M12-AN6X 7M	4 mm,	7 m cable	, NPN	12 x 54 mm	w002	d007
BI4-M12-AP6X-H1141	4 mm,	male, M12 x 1	, PNP	12 x 52 mm	w003	d008
BI4-M12-AN6X-H1141	4 mm,	male, M12 x 1	, NPN	12 x 52 mm	w004	d008
NI8-M12-AP6X-H1141	8 mm,	male, M12 x 1	, PNP	12 x 52 mm	w003	d009
NI8-M12-AN6X-H1141	8 mm,	male, M12 x 1	, NPN	12 x 52 mm	w004	d009

M12 – 4-wire DC



General data			
Protection class	IP67	Description	cylindrical, threaded barrel, 12 mm, chrome-plated brass
Operating current [DC]	200, (K)	Operating voltage	10...30 VDC
Housing material	CuZn	Quality active face	PA
Ambient temperature	-25...70 °C	Housing designation	M12 x 1

Types and data – selection table

Type	Switching distance	Connection	Output	Dimensions	w	d
BI4-M12-VP6X	4 mm,	2 m cable	, PNP	12 x 54 mm	w007	d007
BI4-M12-VP6X 7M	4 mm,	7 m cable	, PNP	12 x 54 mm	w007	d007
BI4-M12-VN6X	4 mm,	2 m cable	, NPN	12 x 54 mm	w008	d007
BI4-M12-VN6X 7M	4 mm,	7 m cable	, NPN	12 x 54 mm	w008	d007
BI4-M12-VP6X-H1141	4 mm,	male, M12 x 1	, PNP	12 x 52 mm	w005	d008
BI4-M12-VN6X-H1141	4 mm,	male, M12 x 1	, NPN	12 x 52 mm	w006	d008
BI4-M12E-VP6X-H1141	4 mm,	male, M12 x 1	, PNP	12 x 62 mm	w005	d010

Table continues on the next page...

... Table starts on previous page

Type	Switching distance	Connection	Output	Dimensions	w	d
BI4-M12E-VN6X-H1141	4 mm,	male, M12 x 1	, NPN	12 x 62 mm	w006	d010
NI8-M12-VP6X 7M	8 mm,	7 m cable	, PNP	12 x 54 mm	w007	d011
NI8-M12-VN6X 7M	8 mm,	7 m cable	, NPN	12 x 54 mm	w008	d011
NI8-M12-VP6X-H1141	8 mm,	male, M12 x 1	, PNP	12 x 52 mm	w005	d009
NI8-M12-VN6X-H1141	8 mm,	male, M12 x 1	, NPN	12 x 52 mm	w006	d009

M18 – 3-wire DC



General data			
Protection class	IP67	Description	cylindrical, threaded barrel, 18 mm, chrome-plated brass
Operating current [DC]	200, (K)	Operating voltage	10...30 VDC
Housing material	CuZn	Quality active face	PA
Ambient temperature	-25...70 °C	Housing designation	M18 x 1

Types and data – selection table

Type	Switching distance	Connection	Output	Dimensions	w	d
BI5-M18-AP6X	5 mm,	2 m cable	, PNP	18 x 54 mm	w001	d012
BI5-M18-AN6X	5 mm,	2 m cable	, NPN	18 x 54 mm	w002	d012
BI5-M18-AP6X-H1141	5 mm,	male, M12 x 1	, PNP	18 x 52 mm	w003	d013
BI5-M18-AN6X-H1141	5 mm,	male, M12 x 1	, NPN	18 x 52 mm	w004	d013
BI8-M18-AP6X	8 mm,	2 m cable	, PNP	18 x 54 mm	w001	d012
BI8-M18-AP6X 7M	8 mm,	7 m cable	, PNP	18 x 54 mm	w001	d012
BI8-M18-AN6X	8 mm,	2 m cable	, NPN	18 x 54 mm	w002	d012
BI8-M18-AN6X 7M	8 mm,	7 m cable	, NPN	18 x 54 mm	w002	d012
BI8-M18-AP6X-H1141	8 mm,	male, M12 x 1	, PNP	18 x 52 mm	w003	d013
BI8-M18-AN6X-H1141	8 mm,	male, M12 x 1	, NPN	18 x 52 mm	w004	d013
NI14-M18-AP6X-H1141	14 mm,	male, M12 x 1	, PNP	18 x 52 mm	w003	d014
NI14-M18-AN6X-H1141	14 mm,	male, M12 x 1	, NPN	18 x 52 mm	w004	d014

M18 – 4-wire DC



General data			
Protection class	IP67	Description	cylindrical, threaded barrel, 18 mm, chrome-plated brass
Operating current [DC]	200, (K)	Operating voltage	10...30 VDC
Housing material	CuZn	Quality active face	PA
Ambient temperature	-25...70 °C	Housing designation	M18 x 1

Types and data – selection table

Type	Switching distance	Connection	Output	Dimensions	w	d
Bi8-M18-VP6X	8 mm,	2 m cable	, PNP	18 x 54 mm	w007	d012
Bi8-M18-VP6X 7M	8 mm,	7 m cable	, PNP	18 x 54 mm	w007	d012
Bi8-M18-VN6X	8 mm,	2 m cable	, NPN	18 x 54 mm	w008	d012
Bi8-M18-VN6X 7M	8 mm,	7 m cable	, NPN	18 x 54 mm	w008	d012
Bi8-M18-VP6X-H1141	8 mm,	male, M12 x 1	, PNP	18 x 52 mm	w005	d013
Bi8-M18-VN6X-H1141	8 mm,	male, M12 x 1	, NPN	18 x 52 mm	w006	d013
Bi8-M18E-VP6X-H1141	8 mm,	male, M12 x 1	, PNP	18 x 72 mm	w005	d015
Bi8-M18E-VN6X-H1141	8 mm,	male, M12 x 1	, NPN	18 x 72 mm	w006	d015
NI14-M18-VP6X 7M	14 mm,	7 m cable	, PNP	18 x 54 mm	w007	d016
NI14-M18-VN6X 7M	14 mm,	7 m cable	, NPN	18 x 54 mm	w008	d016
NI14-M18-VP6X-H1141	14 mm,	male, M12 x 1	, PNP	18 x 52 mm	w005	d014
NI14-M18-VN6X-H1141	14 mm,	male, M12 x 1	, NPN	18 x 52 mm	w006	d014

M30 – 3-wire DC



General data			
Protection class	IP67	Description	cylindrical, threaded barrel, 30 mm, chrome-plated brass
Operating current [DC]	200, (K)	Operating voltage	10...30 VDC
Housing material	CuZn	Quality active face	PA
Ambient temperature	-25...70 °C	Housing designation	M30 x 1.5

Types and data – selection table

Type	Switching distance	Connection	Output	Dimensions	w	d
BI10-M30-AP6X	10 mm,	2 m cable	, PNP	30 x 64 mm	w001	d017
BI10-M30-AN6X	10 mm,	2 m cable	, NPN	30 x 64 mm	w002	d017
BI10-M30-AP6X-H1141	10 mm,	male, M12 x 1	, PNP	30 x 62 mm	w003	d018
BI10-M30-AN6X-H1141	10 mm,	male, M12 x 1	, NPN	30 x 62 mm	w004	d018
BI15-M30-AP6X	15 mm,	2 m cable	, PNP	30 x 64 mm	w001	d017
BI15-M30-AP6X 7M	15 mm,	7 m cable	, PNP	30 x 64 mm	w001	d017
BI15-M30-AN6X	15 mm,	2 m cable	, NPN	30 x 64 mm	w002	d017

Table continues on the next page...

... Table starts on previous page

Type	Switching distance	Connection	Output	Dimensions	w	d
BI15-M30-AN6X 7M	15 mm,	7 m cable	, NPN	30 x 64 mm	w002	d017
BI15-M30-AP6X-H1141	15 mm,	male, M12 x 1	, PNP	30 x 62 mm	w003	d018
BI15-M30-AN6X-H1141	15 mm,	male, M12 x 1	, NPN	30 x 62 mm	w004	d018
NI20-M30-AP6X-H1141	20 mm,	male, M12 x 1	, PNP	30 x 62 mm	w003	d019
NI20-M30-AN6X-H1141	20 mm,	male, M12 x 1	, NPN	30 x 62 mm	w004	d019

M30 – 4-wire DC



General data			
Protection class	IP67	Description	cylindrical, threaded barrel, 30 mm, chrome-plated brass
Operating current [DC]	200, (K)	Operating voltage	10...30 VDC
Housing material	CuZn	Quality active face	PA
Ambient temperature	-25...70 °C	Housing designation	M30 x 1.5

Types and data – selection table

Type	Switching distance	Connection	Output	Dimensions	w	d
BI15-M30-VP6X	15 mm,	2 m cable	, PNP	30 x 64 mm	w007	d017
BI15-M30-VP6X 7M	15 mm,	7 m cable	, PNP	30 x 64 mm	w007	d017
BI15-M30-VN6X	15 mm,	2 m cable	, NPN	30 x 64 mm	w008	d017
BI15-M30-VN6X 7M	15 mm,	7 m cable	, NPN	30 x 64 mm	w008	d017
BI15-M30-VP6X-H1141	15 mm,	male, M12 x 1	, PNP	30 x 62 mm	w005	d018
BI15-M30-VN6X-H1141	15 mm,	male, M12 x 1	, NPN	30 x 62 mm	w006	d018
NI20-M30-VP6X 7M	20 mm,	7 m cable	, PNP	30 x 64 mm	w007	d020
NI20-M30-VN6X 7M	20 mm,	7 m cable	, NPN	30 x 64 mm	w008	d020
NI20-M30-VP6X-H1141	20 mm,	male, M12 x 1	, PNP	30 x 62 mm	w005	d019
NI20-M30-VN6X-H1141	20 mm,	male, M12 x 1	, NPN	30 x 62 mm	w006	d019

CK40 – 4-wire DC



General data			
Switching distance	50 mm,	Protection class	IP68
Connection	male, M12 x 1	Description	rectangular, plastic
Operating current [DC]	200,	Operating voltage	10...65 VDC
Housing material	PBT	Quality active face	PA
Dimensions	40 x 40 x 65 mm	Ambient temperature	-30...85 °C
Housing designation	CK40	Included in scope of supply	Fixing clamp BS4-CK40

Variable orientation of active face in 5 directions

Types and data – selection table

Type	Output		
NI50U-CK40-VP4X2-H1141	, PNP	w005	d021
NI50U-CK40-VN4X2-H1141	, NPN	w006	d021

QV40 – 3-wire DC



General data			
Switching distance	50 mm,	Protection class	IP68
Connection	male, M12 x 1	Description	rectangular, plastic
Operating current [DC]	200,	Operating voltage	10...30 VDC
Housing material	PBT	Quality active face	PA
Dimensions	40 x 40 x 65 mm	Ambient temperature	-30...85 °C
Housing designation	QV40	Included in scope of supply	Fixing clamp for QV40

Variable orientation of active face in 5 directions without tools

Types and data – selection table

Type	Output		
NI50U-QV40-AP6X2-H1141	, PNP	w003	d022
NI50U-QV40-AN6X2-H1141	, NPN	w004	d022

UNT design

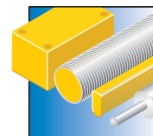


The UNTs are universally applicable, extremely compact and easily mounted. Thanks to the pre-fixation lip, they fit on T-groove cylinders without additional accessories and can even be mounted overhead with one hand only. With the optionally available accessories you can also mount them on tie-rod and dovetail cylinders. Thanks to the bright and all-round visible LED, the switching state can be seen from any perspective.

Features

- Compact design
- Quickly and flexibly mounted
- Firmly mounted to T-groove cylinders without accessories
- Mounting accessories for all standard pneumatic cylinders
- Finetuning tool and stopper, for direct mounting on sensor
- Connection cable 2 m or 0.3 m with male end M8 x 1
- Excellent EMC properties
- Good visible LED

Properties



Designs

Universal design, 5 x 6 x 28 mm, easily and flexibly mounted



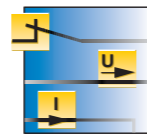
Measuring ranges

Reliable position detection on all standard pneumatic cylinders



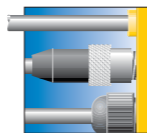
Materials

Rugged PP housing, suitable for many applications



Electrical versions

3-wire DC, NO, PNP



Electrical connections

Cable 2 m; cable 0.3 m with male end M8 (pigtail)



Internet link

Scan the QR code to access our products on the internet

UNT – 3-wire DC



General data

Protection class	IP67	Connection	2 m cable
Description	rectangular, plastic	Operating current [DC]	100
Operating voltage	10...30 VDC	Output	—, PNP
Housing material	PP	Quality active face	PP
Dimensions	5 x 6 x 28 mm	Ambient temperature	-25...70 °C
Housing designation	UNT	Cylindrical design	
Included in scope of supply	cable clip		

Types and data – selection table

Type	w	d
BIM-UNT-AP7X	w001	d023

UNT – 3-wire DC – Pigtail



General data

Protection class	IP67	Connection	0.3 m Cable with connector, Ø 8 mm
Description	rectangular, plastic	Operating current [DC]	100
Operating voltage	10...30 VDC	Output	—, PNP
Housing material	PP	Quality active face	PP
Dimensions	5 x 6 x 28 mm	Ambient temperature	-25...70 °C
Housing designation	UNT	Cylindrical design	
Included in scope of supply	cable clip		

Types and data – selection table

Type	w	d
BIM-UNT-AP7X-0,3-PSG3S	w003	d024



Features

- Sheath material: PVC
- Resistant to chemicals and oils
- Resistant to acids and alkaline solutions
- Free from silicone and LABS
- Approval: cULus
- RoHS conform



Connectors

Contacts	metal, CuZn, gold-plated
Contact carriers	plastic, TPU, black
Grip	plastic, TPU, black
Coupling nut/screw	metal, CuZn, nickel-plated
Protection class	IP67, only in screwed state
Mechanical lifespan	> 100 mating cycles
Pollution degree	3
Tightening torque	0.8...1 Nm (observe max. value of counter piece!)

General data

Sheath color	PVC (black)
Litz wire arrangement	42 x 0.1 mm

Electrical features at +20 °C

Rated current	4 A
Rated voltage [U _{max}]	250 V
Insulation resistance	> 1 GΩ x km
Test voltage	2000 V

Mechanical and chemical properties

Static Bending Radius	> 5 x Ø
Bending radius (flexible use)	> 10 x Ø
Ambient temperature	
At rest	-40...105 °C
In moving state	0...80 °C

Number of pins	Cable diameter [mm] ± 0.20	Cable length [m]	Core insulation (colors)	Core cross-section [mm ²]	Pin configuration	Pin configuration	Type		
	3	Ø 4.3	2	PVC (BN, BU, BK)	3 x 0.34	w009	–	RKC4T-2/TEL	
	3	Ø 4.3	5	PVC (BN, BU, BK)	3 x 0.34	w009	–	RKC4T-5/TEL	
	3	Ø 4.3	10	PVC (BN, BU, BK)	3 x 0.34	w009	–	RKC4T-10/TEL	
	4	Ø 4.7	2	PVC (BN, WH, BU, BK)	4 x 0.34	w010	–	RKC4.4T-2/TEL	
	4	Ø 4.7	5	PVC (BN, WH, BU, BK)	4 x 0.34	w010	–	RKC4.4T-5/TEL	
	4	Ø 4.7	10	PVC (BN, WH, BU, BK)	4 x 0.34	w010	–	RKC4.4T-10/TEL	
	3	Ø 4.3	2	PVC (BN, BU, BK)	3 x 0.34	w009	–	WKC4T-2/TEL	
	3	Ø 4.3	5	PVC (BN, BU, BK)	3 x 0.34	w009	–	WKC4T-5/TEL	
	3	Ø 4.3	10	PVC (BN, BU, BK)	3 x 0.34	w009	–	WKC4T-10/TEL	
	4	Ø 4.7	2	PVC (BN, WH, BU, BK)	4 x 0.34	w010	–	WKC4.4T-2/TEL	
	4	Ø 4.7	5	PVC (BN, WH, BU, BK)	4 x 0.34	w010	–	WKC4.4T-5/TEL	
	4	Ø 4.7	10	PVC (BN, WH, BU, BK)	4 x 0.34	w010	–	WKC4.4T-10/TEL	
	3	Ø 4.3	0.3	PVC (BN, BU, BK)	3 x 0.34	w009	w011	RKC4T-0,3-RSC4T/TEL	
	3	Ø 4.3	0.6	PVC (BN, BU, BK)	3 x 0.34	w009	w011	RKC4T-0,6-RSC4T/TEL	
	3	Ø 4.3	1	PVC (BN, BU, BK)	3 x 0.34	w009	w011	RKC4T-1-RSC4T/TEL	
	3	Ø 4.3	2	PVC (BN, BU, BK)	3 x 0.34	w009	w011	RKC4T-2-RSC4T/TEL	
	3	Ø 4.3	5	PVC (BN, BU, BK)	3 x 0.34	w009	w011	RKC4T-5-RSC4T/TEL	
	4	Ø 4.7	0.3	PVC (BN, WH, BU, BK)	4 x 0.34	w010	w012	RKC4.4T-0,3-RSC4.4T/TEL	
	4	Ø 4.7	0.6	PVC (BN, WH, BU, BK)	4 x 0.34	w010	w012	RKC4.4T-0,6-RSC4.4T/TEL	
	4	Ø 4.7	1	PVC (BN, WH, BU, BK)	4 x 0.34	w010	w012	RKC4.4T-1-RSC4.4T/TEL	
	4	Ø 4.7	2	PVC (BN, WH, BU, BK)	4 x 0.34	w010	w012	RKC4.4T-2-RSC4.4T/TEL	
	4	Ø 4.7	5	PVC (BN, WH, BU, BK)	4 x 0.34	w010	w012	RKC4.4T-5-RSC4.4T/TEL	
		3	Ø 4.3	0.3	PVC (BN, BU, BK)	3 x 0.34	w009	w011	WKC4T-0,3-RSC4T/TEL
		3	Ø 4.3	0.6	PVC (BN, BU, BK)	3 x 0.34	w009	w011	WKC4T-0,6-RSC4T/TEL
3		Ø 4.3	1	PVC (BN, BU, BK)	3 x 0.34	w009	w011	WKC4T-1-RSC4T/TEL	
3		Ø 4.3	2	PVC (BN, BU, BK)	3 x 0.34	w009	w011	WKC4T-2-RSC4T/TEL	
3		Ø 4.3	5	PVC (BN, BU, BK)	3 x 0.34	w009	w011	WKC4T-5-RSC4T/TEL	
4		Ø 4.7	0.3	PVC (BN, WH, BU, BK)	4 x 0.34	w010	w012	WKC4.4T-0,3-RSC4.4T/TEL	
4	Ø 4.7	0.6	PVC (BN, WH, BU, BK)	4 x 0.34	w010	w012	WKC4.4T-0,6-RSC4.4T/TEL		
4	Ø 4.7	1	PVC (BN, WH, BU, BK)	4 x 0.34	w010	w012	WKC4.4T-1-RSC4.4T/TEL		
4	Ø 4.7	2	PVC (BN, WH, BU, BK)	4 x 0.34	w010	w012	WKC4.4T-2-RSC4.4T/TEL		
4	Ø 4.7	5	PVC (BN, WH, BU, BK)	4 x 0.34	w010	w012	WKC4.4T-5-RSC4.4T/TEL		



Features

- Sheath material: PVC
- Resistant to chemicals and oils
- Resistant to acids and alkaline solutions
- Free from silicone and LABS
- Approval: cULus
- RoHS conform



Connectors

Number of pins	3
Contacts	metal, CuZn, gold-plated
Contact carriers	plastic, TPU, black
Grip	plastic, TPU, black
Coupling nut/screw	metal, CuZn, nickel-plated
Protection class	IP67, only in screwed state
Mechanical lifespan	> 100 mating cycles
Pollution degree	3
Tightening torque	0.5...0.6 Nm (observe max. value of counter piece!)

General data

Cable diameter	Ø 4.3 mm ± 0.20
Sheath color	PVC (black)
Core insulation (colors)	PVC (BN, BU, BK)
Core cross-section	3 x 0.34 mm ²
Litz wire arrangement	42 x 0.1 mm

Electrical features at +20 °C

Rated current	4 A
Rated voltage [U _{max}]	60 V
Insulation resistance	> 1 GΩ x km
Test voltage	2000 V

Mechanical and chemical properties

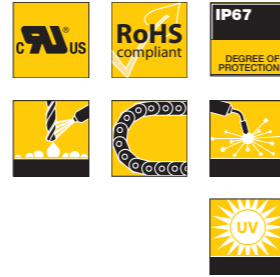
Static Bending Radius	> 5 x Ø
Bending radius (flexible use)	> 10 x Ø
Ambient temperature	
At rest	-40...105 °C
In moving state	0...80 °C

	Cable length [m]	Pin configuration	Pin configuration	Type
	2	w013	–	PKG3M-2/TEL
	5	w013	–	PKG3M-5/TEL
	10	w013	–	PKG3M-10/TEL
	2	w013	–	PKW3M-2/TEL
	5	w013	–	PKW3M-5/TEL
	10	w013	–	PKW3M-10/TEL
	0.3	w013	w014	PKG3M-0,3-PSG3M/TEL
	0.6	w013	w014	PKG3M-0,6-PSG3M/TEL
	1	w013	w014	PKG3M-1-PSG3M/TEL
	2	w013	w014	PKG3M-2-PSG3M/TEL
	5	w013	w014	PKG3M-5-PSG3M/TEL
	0.3	w013	w014	PKW3M-0,3-PSG3M/TEL
	0.6	w013	w014	PKW3M-0,6-PSG3M/TEL
	1	w013	w014	PKW3M-1-PSG3M/TEL
	2	w013	w014	PKW3M-2-PSG3M/TEL
	5	w013	w014	PKW3M-5-PSG3M/TEL



Features

- Sheath material: PUR
- Qualified for drag chain use
- Weld-splatter resistant
- Resistant to chemicals, UV radiation and oils
- Flame retardant
- Free from halogen, silicone, PVC and LABS
- Approval: cULus
- RoHS conform



Connectors

Contacts	metal, CuZn, gold-plated
Contact carriers	plastic, TPU, black
Grip	plastic, TPU, black
Coupling nut/screw	metal, CuZn, nickel-plated
Protection class	IP67, only in screwed state
Mechanical lifespan	> 100 mating cycles
Pollution degree	3
Tightening torque	0.8...1 Nm (observe max. value of counter piece!)

General data

Sheath color	PUR (black)
Litz wire arrangement	42 x 0.1 mm

Electrical features at +20 °C

Rated current	4 A
Rated voltage [U _{max}]	250 V
Insulation resistance	> 1 GΩ x km
Test voltage	2000 V
Forward resistance	max. 57.5 Ω/km

Mechanical and chemical properties

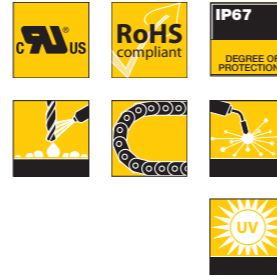
Max. tensile strength (static)	≤ 50 N/mm ²
Max. tensile strength (dynamic)	≤ 20 N/mm ²
Bending cycles	> 5 mil.
Static Bending Radius	> 5 x Ø
Bending radius (flexible use)	> 10 x Ø
Admissible acceleration	max. 5 m/s ²
Admissible travel path, horizontal	5 m (at 5 m/s ²)
Admissible travel path, vertical	2 m (at 5 m/s ²)
Admissible traversing speed	3.3 m/s
Torsional stress	± 180 °/m
Ambient temperature	
At rest	-50...80 °C
In moving state	-25...80 °C
Drag chain operation	-25...60 °C

Number of pins	Cable diameter [mm] ± 0.20	Cable length [m]	Core insulation (colors)	Core cross-section [mm ²]	Pin configuration	Pin configuration	Type		
	3	Ø 4.3	2	PP (BN, BU, BK)	3 x 0.34	w009	–	RKC4T-2/TXL	
	3	Ø 4.3	5	PP (BN, BU, BK)	3 x 0.34	w009	–	RKC4T-5/TXL	
	3	Ø 4.3	10	PP (BN, BU, BK)	3 x 0.34	w009	–	RKC4T-10/TXL	
	4	Ø 4.7	2	PP (BN, WH, BU, BK)	4 x 0.34	w010	–	RKC4.4T-2/TXL	
	4	Ø 4.7	5	PP (BN, WH, BU, BK)	4 x 0.34	w010	–	RKC4.4T-5/TXL	
	4	Ø 4.7	10	PP (BN, WH, BU, BK)	4 x 0.34	w010	–	RKC4.4T-10/TXL	
		3	Ø 4.3	2	PP (BN, BU, BK)	3 x 0.34	w009	–	WKC4T-2/TXL
		3	Ø 4.3	5	PP (BN, BU, BK)	3 x 0.34	w009	–	WKC4T-5/TXL
		3	Ø 4.3	10	PP (BN, BU, BK)	3 x 0.34	w009	–	WKC4T-10/TXL
4		Ø 4.7	2	PP (BN, WH, BU, BK)	4 x 0.34	w010	–	WKC4.4T-2/TXL	
4		Ø 4.7	5	PP (BN, WH, BU, BK)	4 x 0.34	w010	–	WKC4.4T-5/TXL	
4		Ø 4.7	10	PP (BN, WH, BU, BK)	4 x 0.34	w010	–	WKC4.4T-10/TXL	
	3	Ø 4.3	0.3	PP (BN, BU, BK)	3 x 0.34	w009	w011	RKC4T-0,3-RSC4T/TXL	
	3	Ø 4.3	0.6	PP (BN, BU, BK)	3 x 0.34	w009	w011	RKC4T-0,6-RSC4T/TXL	
	3	Ø 4.3	1	PP (BN, BU, BK)	3 x 0.34	w009	w011	RKC4T-1-RSC4T/TXL	
	3	Ø 4.3	2	PP (BN, BU, BK)	3 x 0.34	w009	w011	RKC4T-2-RSC4T/TXL	
	3	Ø 4.3	5	PP (BN, BU, BK)	3 x 0.34	w009	w011	RKC4T-5-RSC4T/TXL	
	4	Ø 4.7	0.3	PP (BN, WH, BU, BK)	4 x 0.34	w010	w012	RKC4.4T-0,3-RSC4.4T/TXL	
	4	Ø 4.7	0.6	PP (BN, WH, BU, BK)	4 x 0.34	w010	w012	RKC4.4T-0,6-RSC4.4T/TXL	
	4	Ø 4.7	1	PP (BN, WH, BU, BK)	4 x 0.34	w010	w012	RKC4.4T-1-RSC4.4T/TXL	
	4	Ø 4.7	2	PP (BN, WH, BU, BK)	4 x 0.34	w010	w012	RKC4.4T-2-RSC4.4T/TXL	
	4	Ø 4.7	5	PP (BN, WH, BU, BK)	4 x 0.34	w010	w012	RKC4.4T-5-RSC4.4T/TXL	
		3	Ø 4.3	0.3	PP (BN, BU, BK)	3 x 0.34	w009	w011	WKC4T-0,3-RSC4T/TXL
		3	Ø 4.3	0.6	PP (BN, BU, BK)	3 x 0.34	w009	w011	WKC4T-0,6-RSC4T/TXL
3		Ø 4.3	1	PP (BN, BU, BK)	3 x 0.34	w009	w011	WKC4T-1-RSC4T/TXL	
3		Ø 4.3	2	PP (BN, BU, BK)	3 x 0.34	w009	w011	WKC4T-2-RSC4T/TXL	
3		Ø 4.3	5	PP (BN, BU, BK)	3 x 0.34	w009	w011	WKC4T-5-RSC4T/TXL	
4		Ø 4.7	0.3	PP (BN, WH, BU, BK)	4 x 0.34	w010	w012	WKC4.4T-0,3-RSC4.4T/TXL	
4	Ø 4.7	0.6	PP (BN, WH, BU, BK)	4 x 0.34	w010	w012	WKC4.4T-0,6-RSC4.4T/TXL		
4	Ø 4.7	1	PP (BN, WH, BU, BK)	4 x 0.34	w010	w012	WKC4.4T-1-RSC4.4T/TXL		
4	Ø 4.7	2	PP (BN, WH, BU, BK)	4 x 0.34	w010	w012	WKC4.4T-2-RSC4.4T/TXL		
4	Ø 4.7	5	PP (BN, WH, BU, BK)	4 x 0.34	w010	w012	WKC4.4T-5-RSC4.4T/TXL		



Features

- Sheath material: PUR
- Qualified for drag chain use
- Weld-splatter resistant
- Resistant to chemicals, UV radiation and oils
- Flame retardant
- Free from halogen, silicone, PVC and LABS
- Approval: cULus
- RoHS conform



Connectors

Number of pins	3
Contacts	metal, CuZn, gold-plated
Contact carriers	plastic, TPU, black
Grip	plastic, TPU, black
Coupling nut/screw	metal, CuZn, nickel-plated
Protection class	IP67, only in screwed state
Mechanical lifespan	> 100 mating cycles
Pollution degree	3
Tightening torque	0.5...0.6 Nm (observe max. value of counter piece!)

General data

Cable diameter	Ø 4.3 mm ± 0.20
Sheath color	PUR (black)
Core insulation (colors)	PP (BN, BU, BK)
Core cross-section	3 x 0.34 mm ²
Litz wire arrangement	42 x 0.1 mm

Electrical features at +20 °C

Rated current	4 A
Rated voltage [U _{max}]	60 V
Insulation resistance	> 1 GΩ x km
Test voltage	2000 V
Forward resistance	max. 57.5 Ω/km

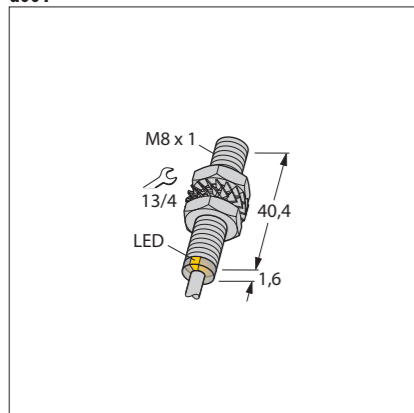
Mechanical and chemical properties

Max. tensile strength (static)	≤ 50 N/mm ²
Max. tensile strength (dynamic)	≤ 20 N/mm ²
Bending cycles	> 5 mil.
Static Bending Radius	> 5 x Ø
Bending radius (flexible use)	> 10 x Ø
Admissible acceleration	max. 5 m/s ²
Admissible travel path, horizontal	5 m (at 5 m/s ²)
Admissible travel path, vertical	2 m (at 5 m/s ²)
Admissible traversing speed	3.3 m/s
Torsional stress	± 180 °/m
Ambient temperature	
At rest	-50...80 °C
In moving state	-25...80 °C
Drag chain operation	-25...60 °C

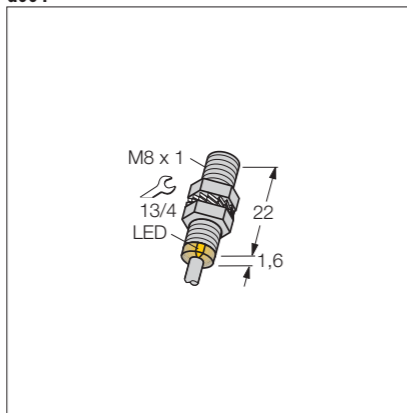
	Cable length [m]	Pin configuration	Pin configuration	Type
	2	w013	–	PKG3M-2/TXL
	5	w013	–	PKG3M-5/TXL
	10	w013	–	PKG3M-10/TXL
	2	w013	–	PKW3M-2/TXL
	5	w013	–	PKW3M-5/TXL
	10	w013	–	PKW3M-10/TXL
	0.3	w013	w014	PKG3M-0,3-PSG3M/TXL
	0.6	w013	w014	PKG3M-0,6-PSG3M/TXL
	1	w013	w014	PKG3M-1-PSG3M/TXL
	2	w013	w014	PKG3M-2-PSG3M/TXL
	5	w013	w014	PKG3M-5-PSG3M/TXL
	0.3	w013	w014	PKW3M-0,3-PSG3M/TXL
	0.6	w013	w014	PKW3M-0,6-PSG3M/TXL
	1	w013	w014	PKW3M-1-PSG3M/TXL
	2	w013	w014	PKW3M-2-PSG3M/TXL
	5	w013	w014	PKW3M-5-PSG3M/TXL

Dimension drawings

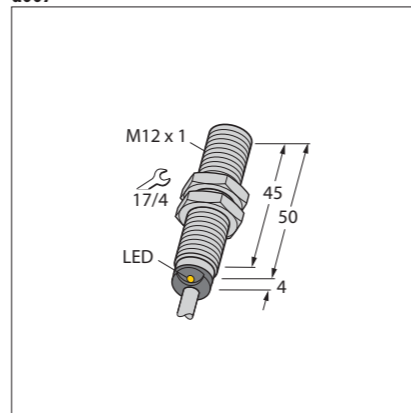
d001



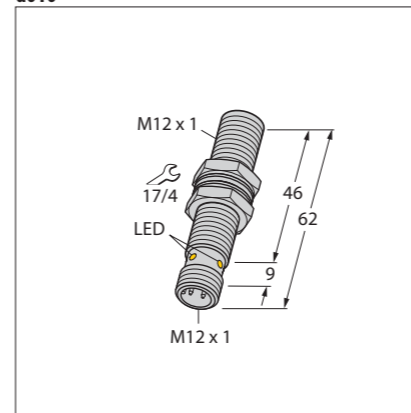
d004



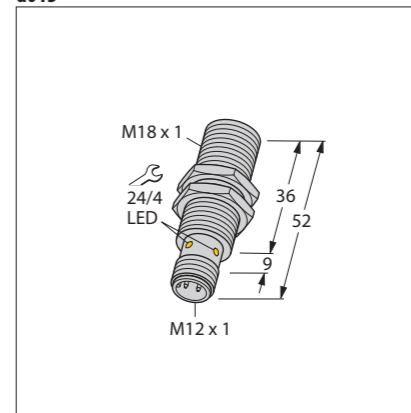
d007



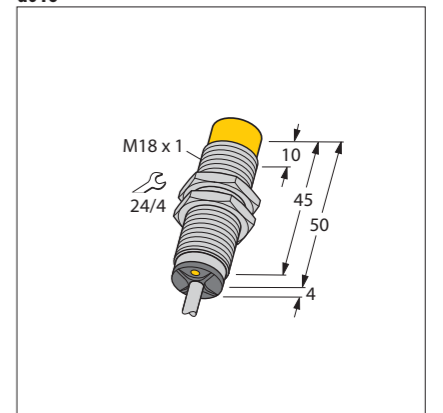
d010



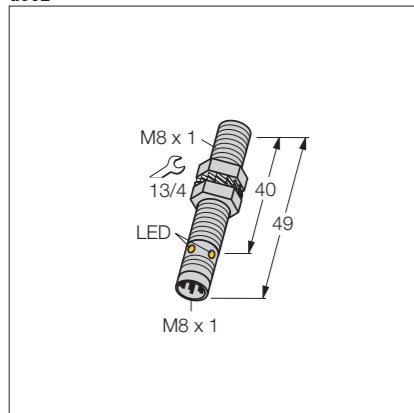
d013



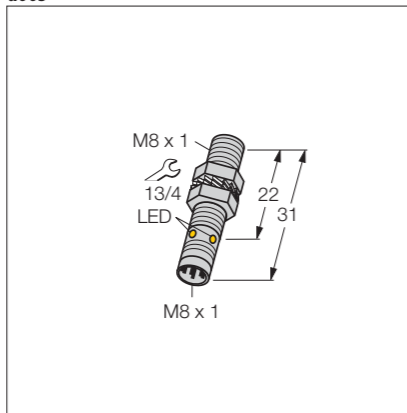
d016



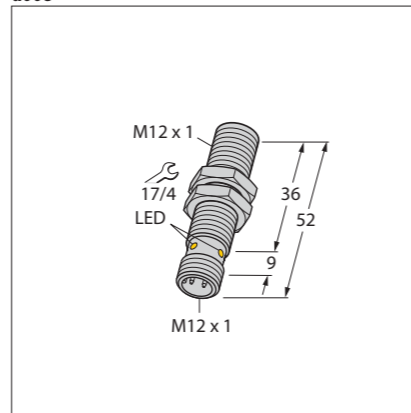
d002



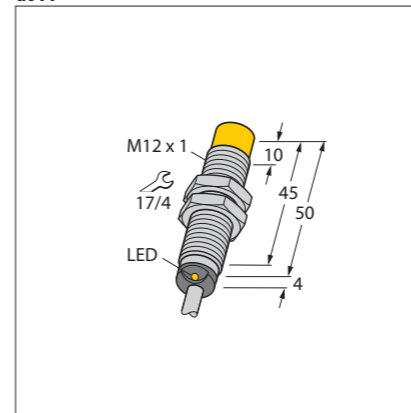
d005



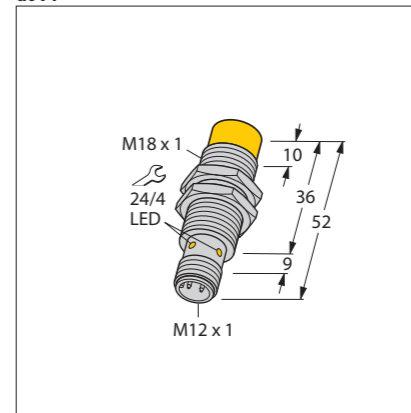
d008



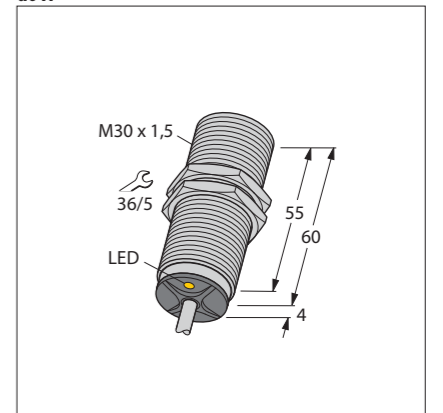
d011



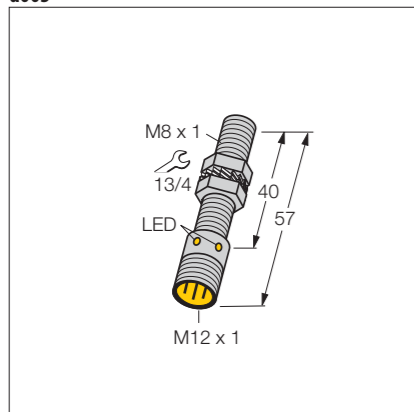
d014



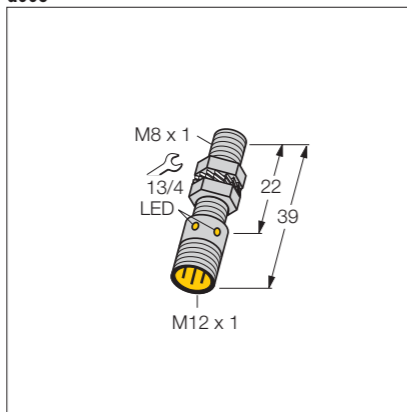
d017



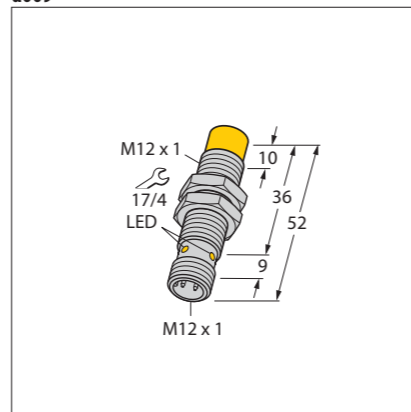
d003



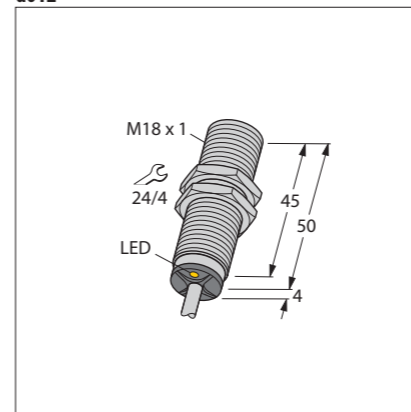
d006



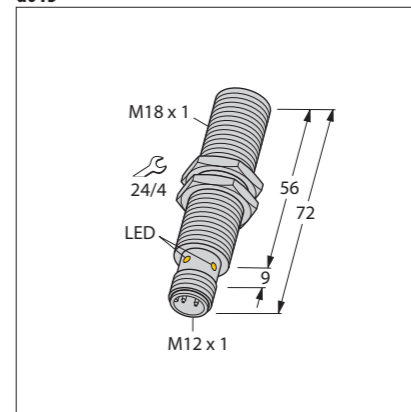
d009



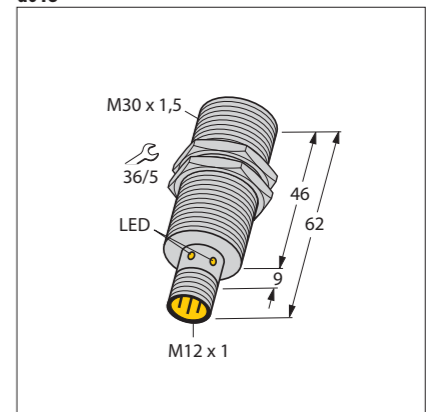
d012



d015

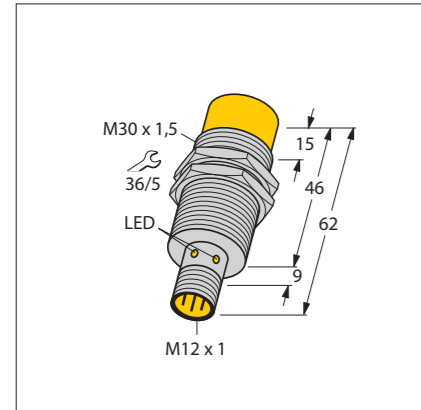


d018

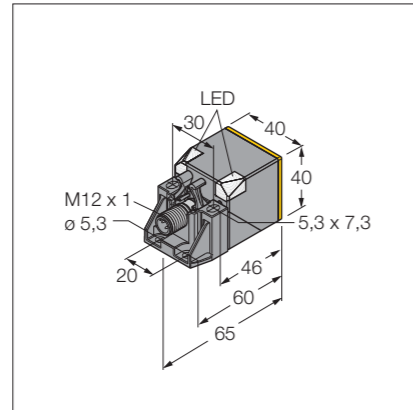


Dimension drawings Wiring diagrams

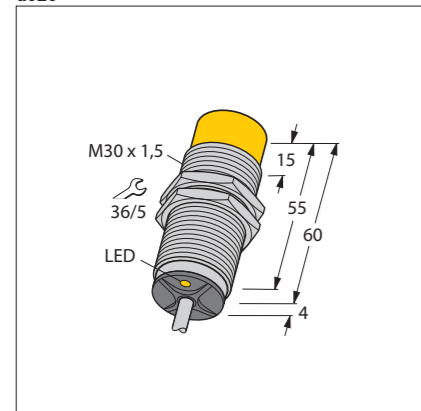
d019



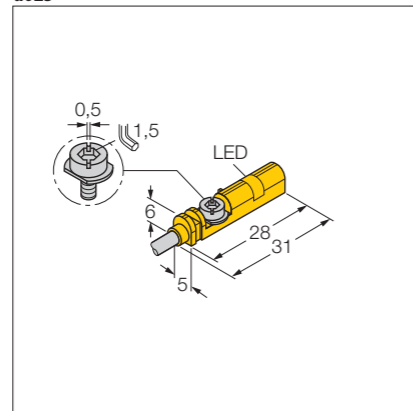
d022



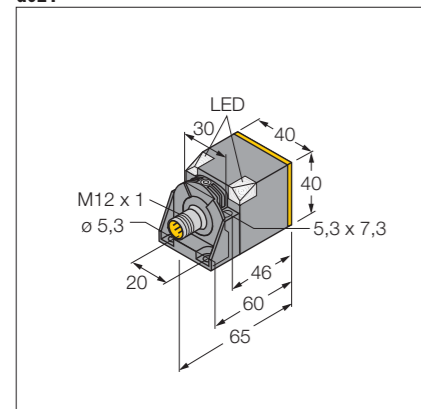
d020



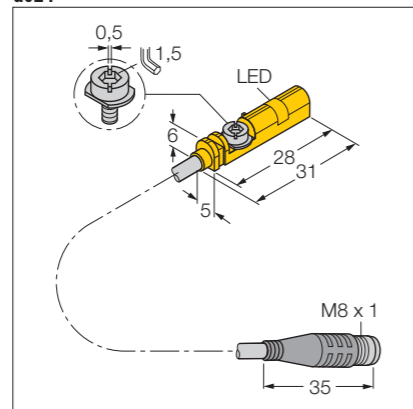
d023



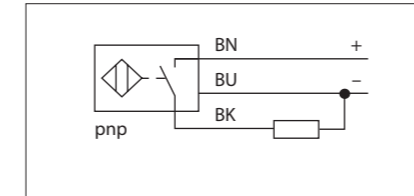
d021



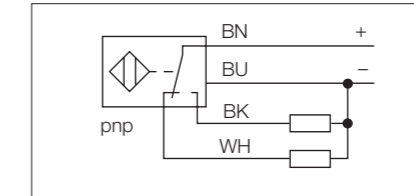
d024



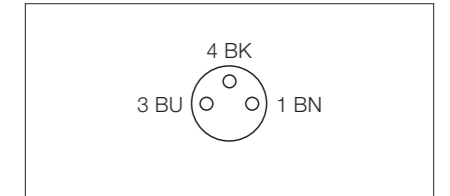
w001



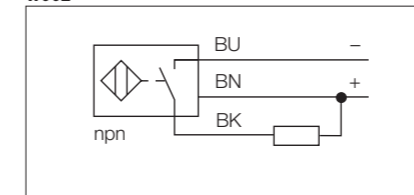
w007



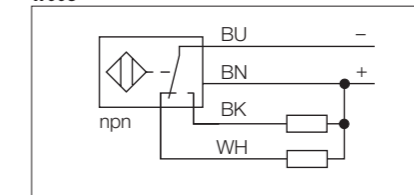
w013



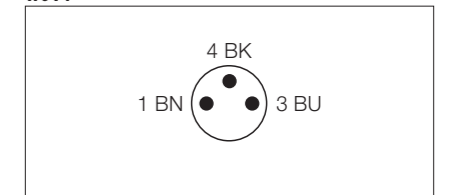
w002



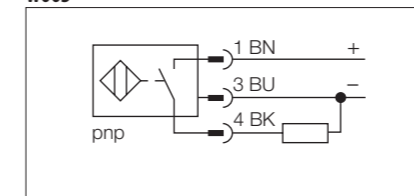
w008



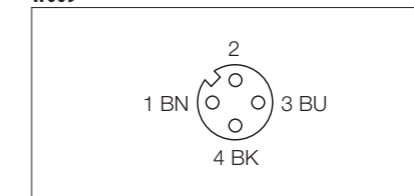
w014



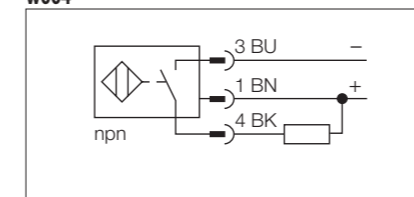
w003



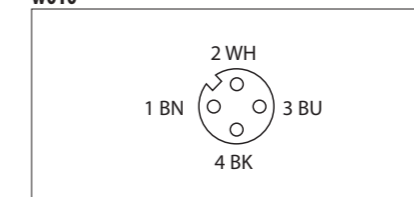
w009



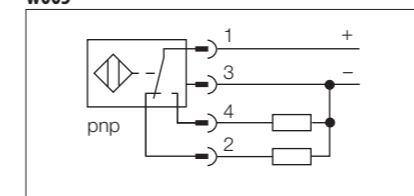
w004



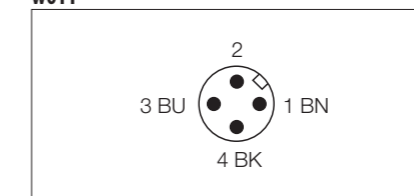
w010



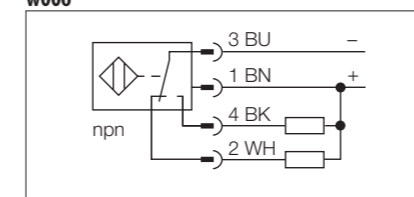
w005



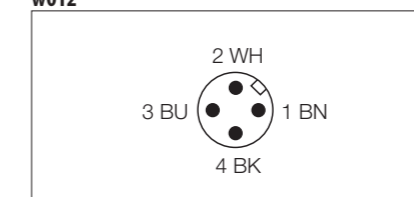
w011



w006



w012



Index of types

Type	Ident-No.	Page	Type	Ident-No.	Page	Type	Ident-No.	Page	Type	Ident-No.	Page
BI10-M30-AN6X	46171	8	BI4-M12-VP6X-H1141	1633200	6	PKG3M-10/TEL	6625060	17	RKC4T-0,6-RSC4T/TXL	6625602	19
BI10-M30-AN6X-H1141	46176	8	BI5-M18-AN6X	46111	7	PKG3M-10/TXL	6625552	21	RKC4T-10/TEL	6625012	15
BI10-M30-AP6X	46170	8	BI5-M18-AN6X-H1141	46146	7	PKG3M-1-PSG3M/TEL	6625302	17	RKC4T-10/TXL	6625502	19
BI10-M30-AP6X-H1141	46175	8	BI5-M18-AP6X	46110	7	PKG3M-1-PSG3M/TXL	6625667	21	RKC4T-1-RSC4T/TEL	6625203	15
BI15-M30-AN6X	4618620	8	BI5-M18-AP6X-H1141	46145	7	PKG3M-2/TEL	6625058	17	RKC4T-1-RSC4T/TXL	6625603	19
BI15-M30-AN6X 7M	4618621	9	BI8-M18-AN6X	4615130	7	PKG3M-2/TXL	6625550	21	RKC4T-2/TEL	6625010	15
BI15-M30-AN6X-H1141	4618600	9	BI8-M18-AN6X 7M	4615131	7	PKG3M-2-PSG3M/TEL	6625303	17	RKC4T-2/TXL	6625500	19
BI15-M30-AP6X	4618530	8	BI8-M18-AN6X-H1141	4615100	7	PKG3M-2-PSG3M/TXL	6625668	21	RKC4T-2-RSC4T/TEL	6625204	15
BI15-M30-AP6X 7M	4618532	8	BI8-M18-AP6X	4615030	7	PKG3M-5/TEL	6625059	17	RKC4T-2-RSC4T/TXL	6625604	19
BI15-M30-AP6X-H1141	46185	9	BI8-M18-AP6X 7M	4615031	7	PKG3M-5/TXL	6625551	21	RKC4T-5/TEL	6625011	15
BI15-M30-VN6X	4590717	9	BI8-M18-AP6X-H1141	46150	7	PKG3M-5-PSG3M/TEL	6626547	17	RKC4T-5/TXL	6625501	19
BI15-M30-VN6X 7M	4590714	9	BI8-M18E-VN6X-H1141	4605227	8	PKG3M-5-PSG3M/TXL	6627147	21	RKC4T-5-RSC4T/TEL	6625441	15
BI15-M30-VN6X-H1141	4590719	9	BI8-M18E-VP6X-H1141	4605226	8	PKW3M-0,3-PSG3M/TEL	6626512	17	RKC4T-5-RSC4T/TXL	6625730	19
BI15-M30-VP6X	4590716	9	BI8-M18-VN6X	4605155	8	PKW3M-0,3-PSG3M/TXL	6627098	21	WKC4.4T-0,3-RSC4.4T/TEL	6625237	15
BI15-M30-VP6X 7M	4590715	9	BI8-M18-VN6X 7M	4590705	8	PKW3M-0,6-PSG3M/TEL	6625299	17	WKC4.4T-0,3-RSC4.4T/TXL	6625637	19
BI15-M30-VP6X-H1141	4590718	9	BI8-M18-VN6X-H1141	4605157	8	PKW3M-0,6-PSG3M/TXL	6627101	21	WKC4.4T-0,6-RSC4.4T/TEL	6625238	15
BI2-EG08-AN6X	4602140	5	BI8-M18-VP6X	4605154	8	PKW3M-10/TEL	6625066	17	WKC4.4T-0,6-RSC4.4T/TXL	6625638	19
BI2-EG08-AN6X-H1341	4602160	5	BI8-M18-VP6X 7M	4590706	8	PKW3M-10/TXL	6625558	21	WKC4.4T-10/TEL	6625027	15
BI2-EG08-AN6X-V1131	4602150	5	BI8-M18-VP6X-H1141	4605156	8	PKW3M-1-PSG3M/TEL	6626523	17	WKC4.4T-10/TXL	6625517	19
BI2-EG08-AP6X	4602040	5	BIM-UNT-AP7X	4685740	13	PKW3M-1-PSG3M/TXL	6627110	21	WKC4.4T-1-RSC4.4T/TEL	6625239	15
BI2-EG08-AP6X-H1341	4602060	5	BIM-UNT-AP7X-0,3-PSG3S	4685742	13	PKW3M-2/TEL	6625064	17	WKC4.4T-1-RSC4.4T/TXL	6625639	19
BI2-EG08-AP6X-V1131	4602050	5	Ni14-M18-AN6X-H1141	4611410	7	PKW3M-2/TXL	6625556	21	WKC4.4T-2/TEL	6625025	15
BI2-EG08K-AN6X	4669500	5	Ni14-M18-AP6X-H1141	4611400	7	PKW3M-2-PSG3M/TEL	6625297	17	WKC4.4T-2/TXL	6625515	19
BI2-EG08K-AN6X-H1341	4669560	5	Ni14-M18-VN6X 7M	4590609	8	PKW3M-2-PSG3M/TXL	6627123	21	WKC4.4T-2-RSC4.4T/TEL	6625240	15
BI2-EG08K-AN6X-V1131	4669550	5	Ni14-M18-VN6X-H1141	4690630	8	PKW3M-5/TEL	6625065	17	WKC4.4T-2-RSC4.4T/TXL	6625640	19
BI2-EG08K-AP6X	4669400	5	Ni14-M18-VP6X 7M	4590610	8	PKW3M-5/TXL	6625557	21	WKC4.4T-5/TEL	6625026	15
BI2-EG08K-AP6X-H1341	4669460	5	Ni14-M18-VP6X-H1141	4590620	8	PKW3M-5-PSG3M/TEL	6625298	17	WKC4.4T-5/TXL	6625516	19
BI2-EG08K-AP6X-V1131	4669450	5	Ni20-M30-AN6X-H1141	4670515	9	PKW3M-5-PSG3M/TXL	6626822	21	WKC4.4T-5-RSC4.4T/TEL	6625444	15
BI2-EG08K-VN6X-H1341	4669419	5	Ni20-M30-AP6X-H1141	4670510	9	RKC4.4T-0,3-RSC4.4T/TEL	6625205	15	WKC4.4T-5-RSC4.4T/TXL	6626878	19
BI2-EG08K-VP6X-H1341	4669416	5	Ni20-M30-VN6X 7M	4590613	9	RKC4.4T-0,3-RSC4.4T/TXL	6625605	19	WKC4T-0,3-RSC4T/TEL	6625233	15
BI2-M12-AN6X	46051	6	Ni20-M30-VN6X-H1141	4590614	9	RKC4.4T-0,6-RSC4.4T/TEL	6625206	15	WKC4T-0,3-RSC4T/TXL	6625633	19
BI2-M12-AN6X-H1141	46066	6	Ni20-M30-VP6X 7M	4590611	9	RKC4.4T-0,6-RSC4.4T/TXL	6625606	19	WKC4T-0,6-RSC4T/TEL	6625234	15
BI2-M12-AP6X	46050	6	Ni20-M30-VP6X-H1141	4590612	9	RKC4.4T-10/TEL	6625015	15	WKC4T-0,6-RSC4T/TXL	6625634	19
BI2-M12-AP6X-H1141	46065	6	Ni50U-CK40-VN4X2-H1141	1625806	10	RKC4.4T-10/TXL	6625505	19	WKC4T-10/TEL	6625024	15
BI4-M12-AN6X	4607130	6	Ni50U-CK40-VP4X2-H1141	1538302	10	RKC4.4T-1-RSC4.4T/TEL	6625207	15	WKC4T-10/TXL	6625514	19
BI4-M12-AN6X 7M	4607131	6	Ni50U-QV40-AN6X2-H1141	1625865	10	RKC4.4T-1-RSC4.4T/TXL	6625607	19	WKC4T-1-RSC4T/TEL	6625235	15
BI4-M12-AN6X-H1141	46071	6	Ni50U-QV40-AP6X2-H1141	1625853	10	RKC4.4T-2/TEL	6625013	15	WKC4T-1-RSC4T/TXL	6625635	19
BI4-M12-AP6X	4607006	6	Ni8-M12-AN6X-H1141	4611315	6	RKC4.4T-2/TXL	6625503	19	WKC4T-2/TEL	6625022	15
BI4-M12-AP6X 7M	4607012	6	Ni8-M12-AP6X-H1141	4611310	6	RKC4.4T-2-RSC4.4T/TEL	6625208	15	WKC4T-2/TXL	6625512	19
BI4-M12-AP6X-H1141	46070	6	Ni8-M12-VN6X 7M	4611326	7	RKC4.4T-2-RSC4.4T/TXL	6625608	19	WKC4T-2-RSC4T/TEL	6625236	15
BI4-M12E-VN6X-H1141	1643201	7	Ni8-M12-VN6X-H1141	4611323	7	RKC4.4T-5/TEL	6625014	15	WKC4T-2-RSC4T/TXL	6625636	19
BI4-M12E-VP6X-H1141	4608031	6	Ni8-M12-VP6X 7M	4611327	7	RKC4.4T-5/TXL	6625504	19	WKC4T-5/TEL	6625023	15
BI4-M12-VN6X	1643300	6	Ni8-M12-VP6X-H1141	4611324	7	RKC4.4T-5-RSC4.4T/TEL	6625440	15	WKC4T-5/TXL	6625513	19
BI4-M12-VN6X 7M	1643301	6	PKG3M-0,3-PSG3M/TEL	6625300	17	RKC4.4T-5-RSC4.4T/TXL	6625731	19	WKC4T-5-RSC4T/TEL	6625443	15
BI4-M12-VN6X-H1141	1643200	6	PKG3M-0,3-PSG3M/TXL	6625665	21	RKC4T-0,3-RSC4T/TEL	6625201	15	WKC4T-5-RSC4T/TXL	6625733	19
BI4-M12-VP6X	1633300	6	PKG3M-0,6-PSG3M/TEL	6625301	17	RKC4T-0,3-RSC4T/TXL	6625601	19			
BI4-M12-VP6X 7M	1633301	6	PKG3M-0,6-PSG3M/TXL	6625666	21	RKC4T-0,6-RSC4T/TEL	6625202	15			

TURCK

**Industrial
Automation**



www.turck.com

**Your Global
Automation Partner!**

WORLDWIDE HEADQUARTERS

Hans Turck GmbH & Co. KG
Witzlebenstr. 7
45472 Muelheim an der Ruhr
Germany
Tel. +49 208 4952-0
Fax +49 208 4952-264
E-Mail more@turck.com
Internet www.turck.com

D101988 2013/10

